



SRK-1W

SATELLITE RADIO ANTENNA ACCESSORIES



Installation Kit for One (1) Satellite Radio Tuner

SRK-1W Kit



CONTENTS

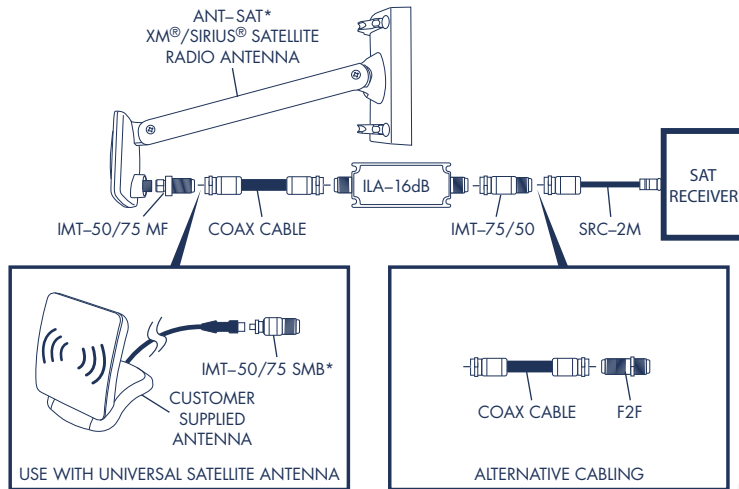
- One F-female to F-female connection coupler
- One ILA-16dB amplifier; F-female input to F-female output
- One IMT-75/50 transformer; F-male input 75Ω to F-female output 50Ω
- One SRC-2M F to SMB extension cable
- One IMT-50/75 MF transformer; Mini F-male input 50Ω to F-female output 75Ω

Warranty: Two-year limited

SRK-1W

Stock Number
FG01258

TYPICAL SYSTEM INSTALLATION DIAGRAM



*SOLD SEPARATELY

Individual items sold separately in bulk quantities.

Specifications



F2F

Stock Number

FG01256

SPECIFICATIONS

- Quantity: 1
- Connection
- Male to male coupler
- Female to female coupler
- 2.3GHz – 2.4GHz



ILA-16dB

Stock Number

FG01250

SPECIFICATIONS

- Quantity: 1
- In-line antenna amplifier
- F-female input to F-female output
- 2.3GHz – 2.4GHz



IMT-75/50

Stock Number

FG01248

SPECIFICATIONS

- Quantity: 1
- Impedance matching transformer
- F-male input 75Ω to F-female output 50Ω
- 2.3GHz – 2.4GHz



IMT-50/75 MF

Stock Number

FG01246

SPECIFICATIONS

- Quantity: 1
- Impedance matching transformer
- Mini F-male input 50Ω To F-female output 75Ω
- 2.3GHz – 2.4GHz



SRC-2M

Stock Number

FG01252

SPECIFICATIONS

- Quantity: 1
- 2-meter low-loss 50-ohm F to SMB extension cable
- F-male to SMB terminations
- 2.3GHz – 2.4GHz